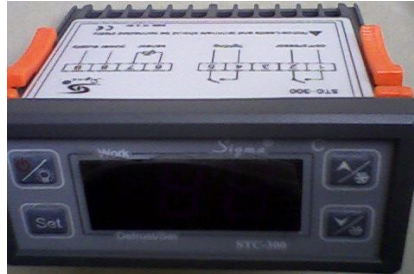
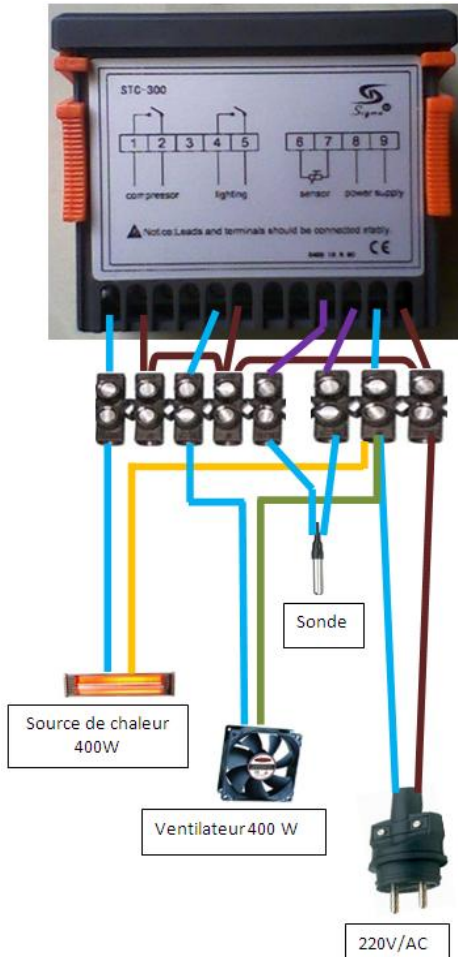


# CONTROLEUR DE TEMPERATURE DIGITAL STC-300 (220V/AC)



STC-300



## Application

Suitable for freezer, refrigerator, seafood machine, glass cabinet, cake cabinet, refrigeration equipment.

## Main features

- ◆Refrigerating, lighting, timing defrost modes optional
- ◆Setting value and return difference to control temperature
- ◆Temperature upper and lower limit setting, in order to avoid misoperation by non-professionals

## Specification

- ◆Mounting size: 71 (W) × 29 (H) (mm)
- ◆Product size: 77(W) × 34.5 (H) × 65.5 (D) (mm)

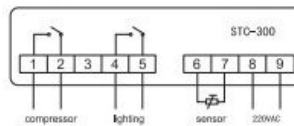
## Technical parameter

- ◆Power supply: 220VAC ± 10%, 50/60HZ (110VAC ± 10%, optional)
- ◆Temperature measuring range: -40~+99°C
- ◆Temperature controlling range: -40~+70°C
- ◆Resolution: 1
- ◆Accuracy: ± 1°C
- ◆Compressor output contact capacity: 10A/220VAC
- ◆Sensor type: NTC, 2M
- ◆Shell: gray ABS flame retardant material

## Accessories

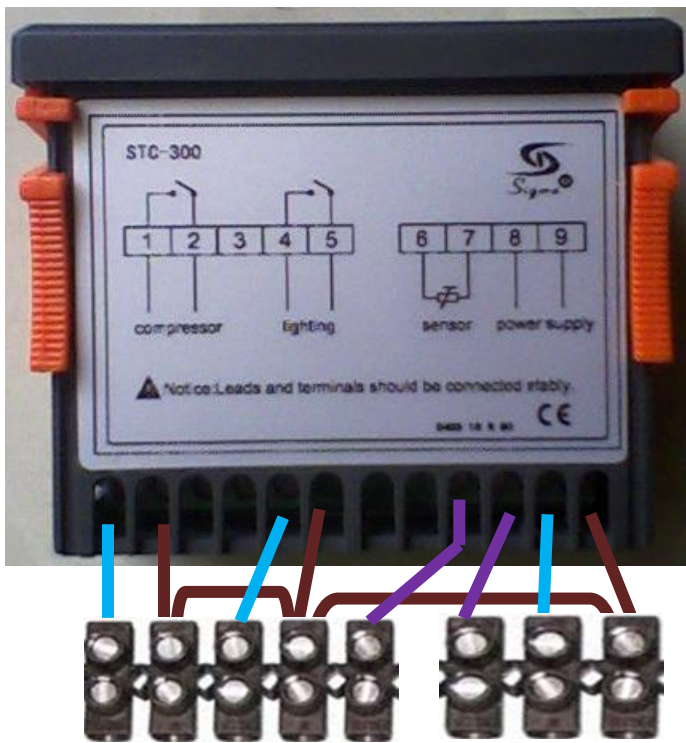
- ◆1 probe, 1 operation instruction, 2 elastic tabs
- For more detailed information please browse [www.kibnt.com](http://www.kibnt.com) and download the operation instruction.

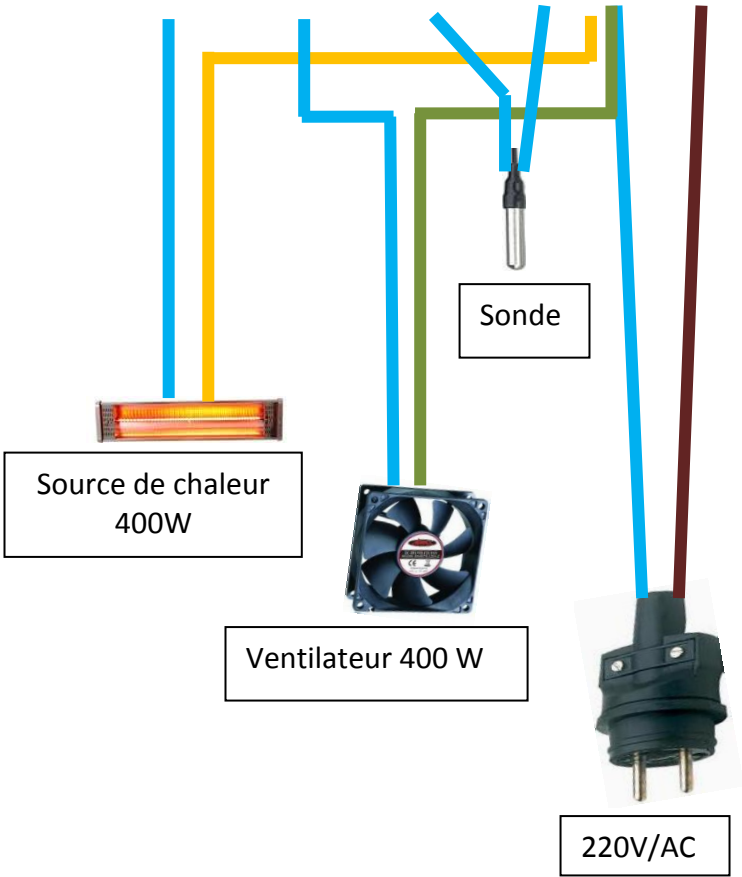
## Wiring diagram



## Administrant menu

Menu setting item	Parameter setting range	Default	Code
Return difference setting	1°C~15°C	3°C	F0
Temp. upper limit setting	Temp. lower limit setting +1°C~70°C	-20°C	F1
Temp. lower limit setting	-40°C~Temp. upper limit setting-1°C	-20°C	F2
Compressor delay	0~99 minutes	3 minutes	F3
Defrosting interval	0~99 hours, 0: cancel defrosting	6 hours	F4
Defrosting duration	0~60 minutes, 0: cancel defrosting	30 minutes	F5





Source de chaleur  
400W

Ventilateur 400 W

Sonde

220V/AC