

INSTALLING ACTUATOR ON VALVE BODY

Slowly latch the manual operating lever in the open position.

Depress the release button (see Figure 3). Align the body with the actuator to ensure the stem is inserted into the large mating hole on the bottom side of the actuator. Engage the actuator on the body and release the button.

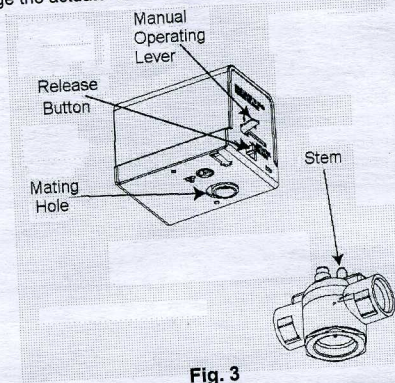


Fig. 3

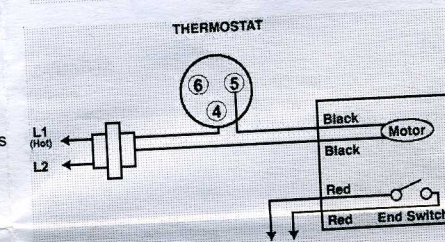
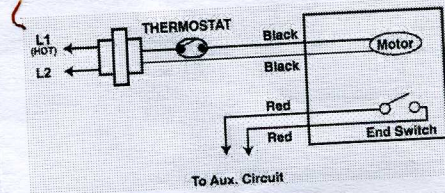
CAUTION

Do not use the valve body to manually open the actuator as damage to the valve actuator will result.

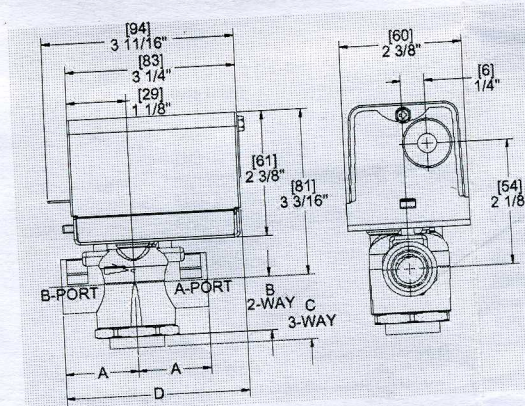
CHECKOUT

- Make sure the valve stem rotates freely before and after installing the actuator.
- If the stem does not operate freely it may indicate that the stem was damaged and may require that the valve be repaired or replaced.
- After the piping is under pressure, check the valve body and the connections for leaks.
- After the valve and actuator are installed, power the actuator and check the operation.

WIRING DIAGRAMS



OVERALL DIMENSIONS (mm)



Valve body	A	B	C	D
1/2"	35	23	33	86
3/4"	43	23	37	92
1"	47	25	43	94

The performances stated on this sheet can be modified without prior notice due to design improvements.

1 Emissione 05/09

CONTROLLI Automatic control systems for:
air-conditioning/heating/industrial thermal process.